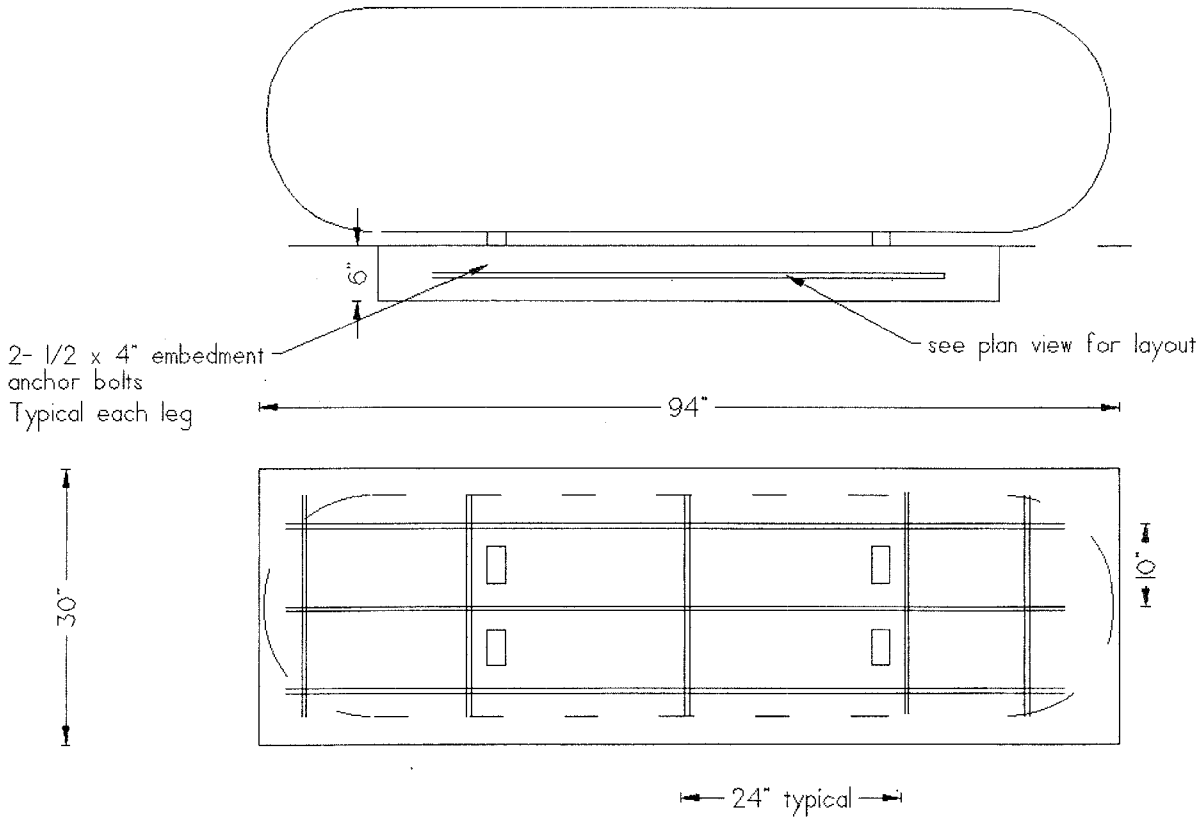


## Notes

1. Concrete 2500 PSI
2. Reinforcing Grade 40
3. All work in compliance with 2010 CBC
4. Tank base for use with tanks supplied by Sequoia Gas Arcata unless otherwise noted.
5. Tank base for single family residential use only.




<b>CE</b> CHAPMAN ENGINEERING RCE # 040310 P.O. Box 1123 ARCATA, CA 95521 707-826-9412	Propane Tank Base - 124 gallon propane tank		
	OWNER: Sequoia Gas Company		
	SCALE: NTS	ADDRESS: Various	
	DATE: 4-27-11	APPROVED BY: MARVIN CHAPMAN	
	CADD FILE: TANKBASE	DRAWN BY: M. CHAPMAN	SHEET 1 OF 1

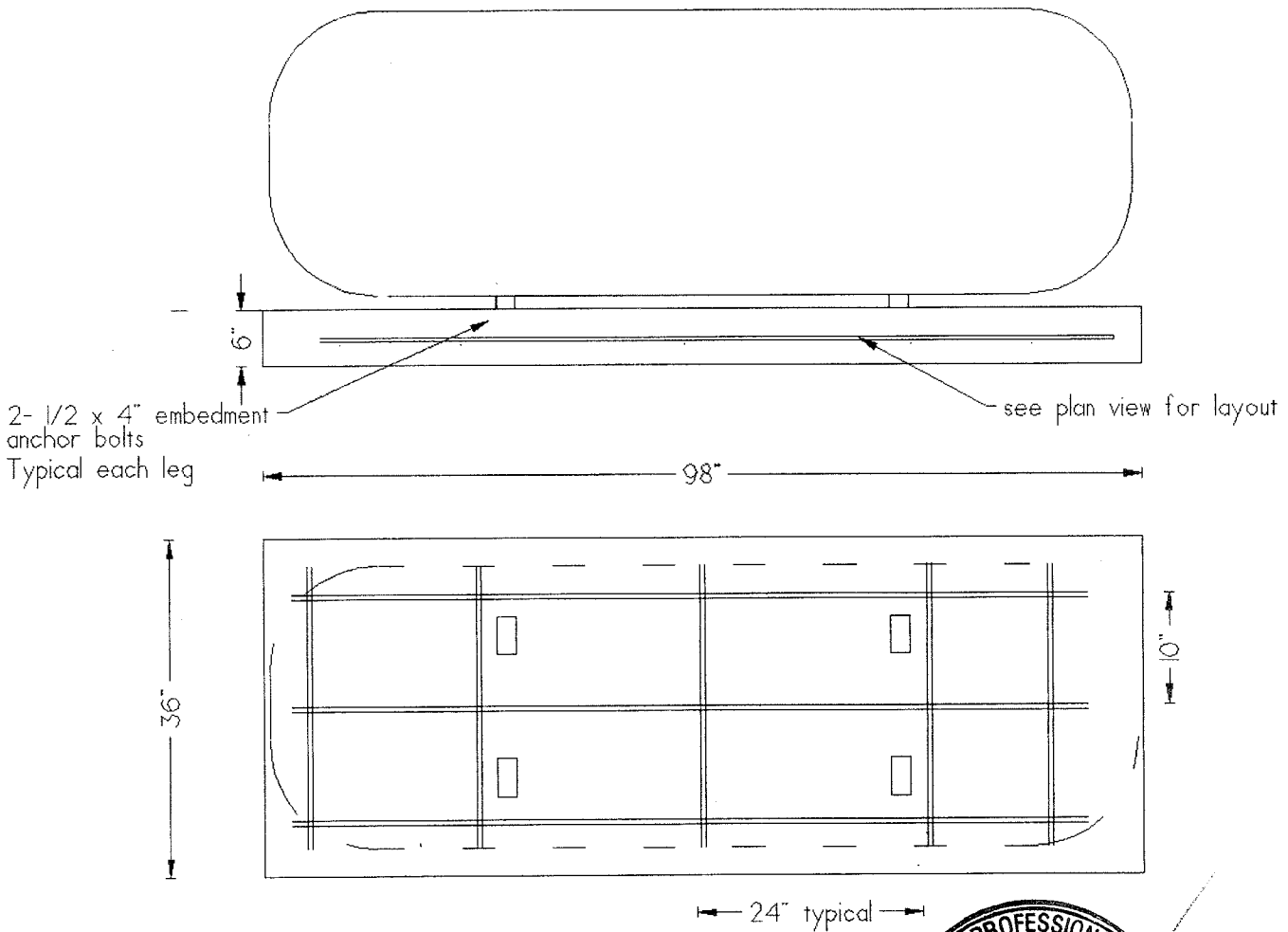


### Notes

1. Concrete 2500 PSI
2. Reinforcing Grade 40
3. All work in compliance with 2010 CBC
4. Tank base for use with tanks supplied by Sequoia Gas Arcata unless otherwise noted.
5. Tank base for single family residential use only.




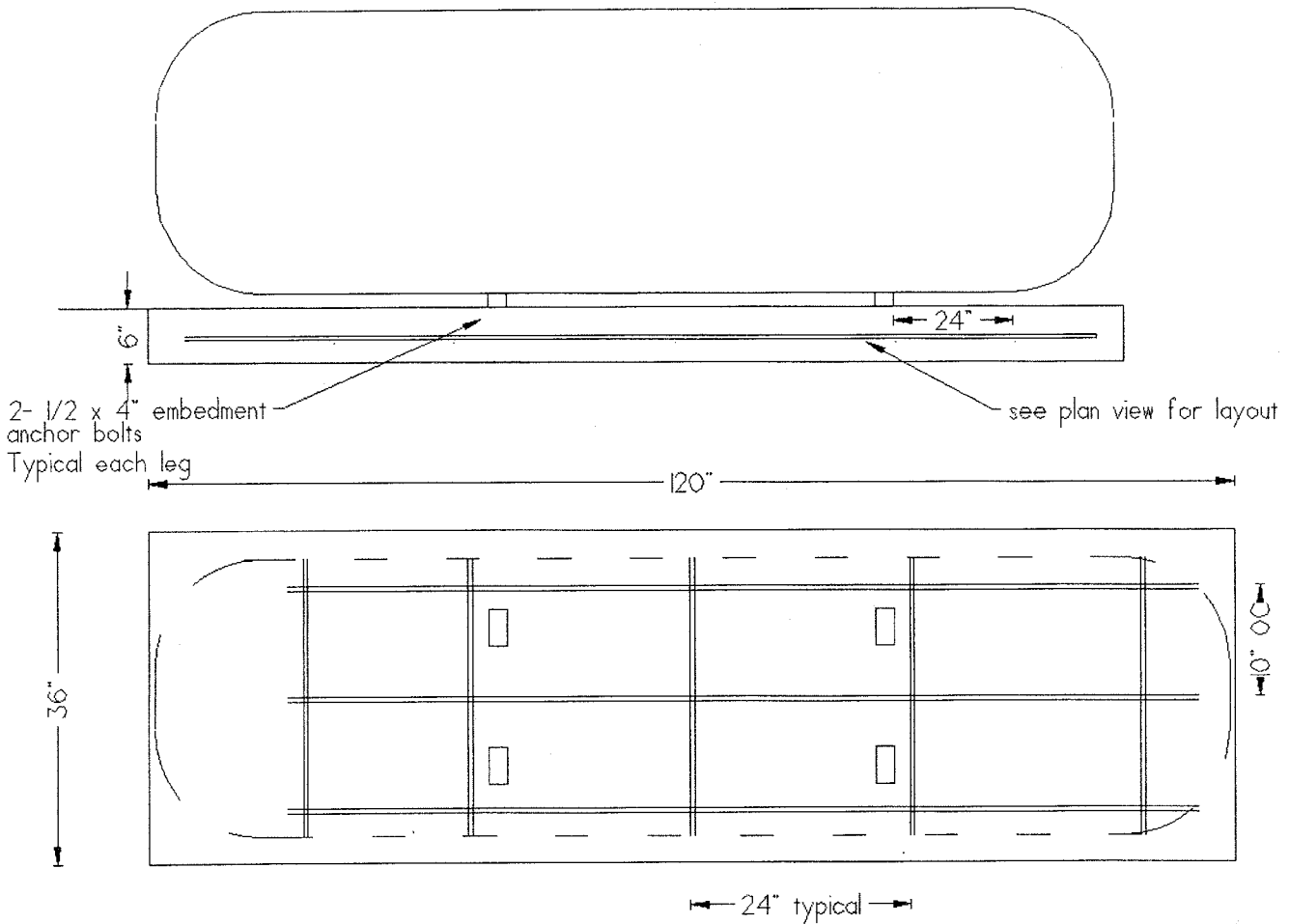
 <b>CHAPMAN ENGINEERING</b> RCE # 040310 P.O. Box 1123 ARCATA, CA 95521 707-826-9412	Propane Tank Base - 172 gallon propane tank		
	OWNER: Sequoia Gas Company		
	SCALE: NTS	ADDRESS: Various	
	DATE: 4-27-11	APPROVED BY: MARVIN CHAPMAN	
	CADD FILE: TANKBASE	DRAWN BY: M. CHAPMAN	SHEET 1 OF 1



## Notes

1. Concrete 2500 PSI
2. Reinforcing Grade 40
3. All work in compliance with 2010 CBC
4. Tank base for use with tanks supplied by Sequoia Gas Arcata unless otherwise noted.
5. Tank base for single family residential use only.

 CHAPMAN ENGINEERING RCE # 040310 P.O. Box 1123 ARCATA, CA 95521 707-826-9412	Propane Tank Base - 288 gallon propane tank		
	OWNER: Sequoia Gas Company		
	SCALE: NTS	ADDRESS: Various	
	DATE: 4-27-11	APPROVED BY: MARVIN CHAPMAN	
CADD FILE: TANKBASE	DRAWN BY: M. CHAPMAN	SHEET 1 OF 1	



## Notes

1. Concrete 2500 PSI
2. Reinforcing Grade 40
3. All work in compliance with 2010 CBC
4. Tank base for use with tanks supplied by Sequoia Gas Arcata unless otherwise noted.
5. Tank base for single family residential use only.



<b>CE</b> CHAPMAN ENGINEERING RCE # 040310 P.O. Box 1123 ARCATA, CA 95521 707-826-9412	Propane Tank Base - 499 gallon propane tank		
	OWNER: Sequoia Gas Company		
	SCALE: NTS	ADDRESS: Various	
	DATE: 4-27-11	APPROVED BY: MARVIN CHAPMAN	
	CADD FILE: TANKBASE	DRAWN BY: M. CHAPMAN	SHEET 1 OF 1